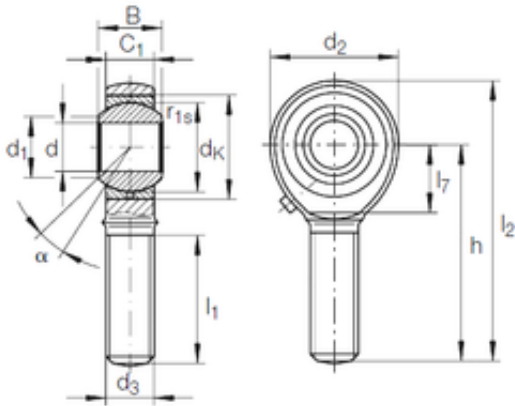


6 mm x 16 mm x 9 mm INA GAKFR 6 PB plain bearings

Bearing No. GAKFR 6 PB



GAKFR 6 PB Bearing 2D drawings and 3D CAD models

Size	6x16x9 mm
Bore Diameter	6 mm
Outer Diameter	16 mm
Width	9 mm
d	6 mm
D	16 mm
B	9 mm
d1	8,9 mm
d2	20 mm
dk	12,7 mm
h	36 mm
l1 min.	21 mm
l2 max.	46 mm
r1 min.	0,3 mm
C1	6,75 mm
Thread (G)	M6
Angle	13 °
Weight	0,02 Kg
Basic dynamic load rating (C)	4,3 kN