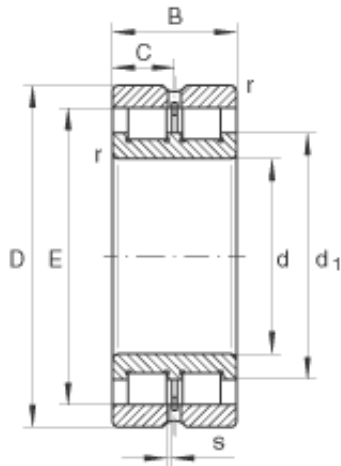




AURORA Bearing Supply Co., Ltd.



200 mm x 280 mm x 80 mm INA SL024940
cylindrical roller bearings

Bearing No. SL024940

SL024940 Bearing 2D drawings and 3D CAD models

Size	200x280x80 mm
Bore Diameter	200 mm
Outer Diameter	280 mm
Width	80 mm
d	200 mm
D	280 mm
B	80 mm
C	40 mm
d ₁	230,5 mm
E	259,34 mm
r _{min}	2,1 mm
s	5 mm / Axial displacement
	NNCL4940V / Designation to DIN 5412
m	15,3 kg / Weight
C _r	680000 N / Dynamic load rating (radial)
C _{0r}	1440000 N / Static load rating (radial)
C _{ur}	173000 N / Fatigue limit load, radial
n _G	1310 1/min / Limiting speed
Category	Bearings
Inventory	0.0
Manufacturer Name	SCHAEFFLER GROUP
Minimum Buy Quantity	N/A
Weight / Kilogram	15.3



AURORA Bearing Supply Co., Ltd.

Product Group	
---------------	--

	B04144
--	--------